



JUMBO FLOOR LAMP





JUMBO FLOOR LAMP



SPECIFICATIONS + FINISHES

COUNTRY OF MANUFACTURE
USA

NET WEIGHT
24lbs.

DIMENSIONS
overall: 65"h x 27"w [165 x 68.5cm]
shade: 14"h x 27"w [35.5 x 68.5cm]
base: 17.75"w [45cm]

MATERIALS
base: solid stainless steel
shade: hand made white linen, acrylic top
linen/acrylic bottom

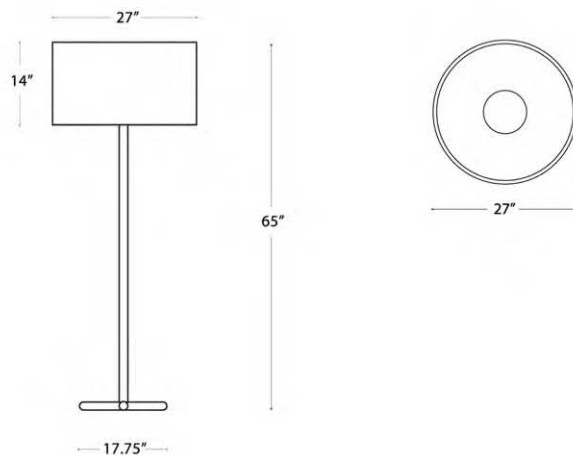
STANDARD BASE FINISH
ground stainless

ALTERNATE BASE FINISHES
mirror polished stainless steel
custom finishes available

LAMP
26w dimming compact fluorescent, GU24 base (included)
LED 3 x 8w A19 lamp - (3 x 40w equivalent - included)
Incandescent (dimming) Custom lamping available

designed by Christopher Smith

JUMBO FLOOR LAMP stands self-confident, like a sculpture, as if fully aware of its machined solid stainless steel base. Its hand made white linen shade resolutely glows - diffused at top and bottom with white acrylic - artfully covered in matching white linen. The purity and simplicity of purpose: illumination, is beautifully realized within JUMBO FLOOR LAMP. Also available as a stunning pendant fixture as well as a matching table lamp.



www.blkbrd.com

p 508.297.2413 f 508.205.0548

v3.0 ©2010 blackbird, a division of AYRE